

Sophisticated RIP software maximizes the performance of TS500P-3200

BUNDLED RIP SOFTWARE

User friendly RIP "RasterLink 6" comes as standard

RasterLink 6

- ◆ More beautiful and advanced print results are achieved by following a user-friendly interface that is easy to operate.
- ◆ Colour replacement function enhances the ability to re-create printed images.
- ◆ Print colour can be simulated on Illustrator / Photoshop without an actual print.
*This function requires MPM2 (Mimaki Profile Master 2).
- ◆ Program update and profile download can be easily performed via internet.

OPTIONAL

Professional software RIP for multi colour separation (optional)

Software RIP for Multi Color Separation

TxLink 3

- ◆ Spot colour can be assigned to each colour on separation plates.
- ◆ ICC profile creation from CMYK + spot colours.
- ◆ Colour replacement on raster data.
- ◆ A variety of panelling functions, including step-and-repeat layout, which are useful for textile designing.



TS500P-3200

Specifications

Item	TS500P-3200	
Print head	On-demand piezo head 12 heads (In-line 4 head x 3 staggered alignment)	
Print resolution	X-direction : 360, 540, 720, 1,080dpi Y-direction : 360, 540, 720dpi	
Drop size	Minimum: 6pl, Maximum: 28pl	
Head gap	Manual stepless adjustment 1.5mm - 7.0mm (3.0mm is the standard value)	
Ink type	Dye Sublimation transfer ink-SB310	
Ink set	4 colour (B, M, Y, K)	
Ink volume	2 litre ink bottle (each ink can be filled to the ink supply unit up to 3L)	
Effective print width	3,290mm	
Media specifications	Max. width	3,300mm
	Roll weight	Up to 130kg
Media thickness	0.2mm or less	
Media cutter	Cutting in Y direction by cutter on the carriage	
Interface	USB2.0 / Ethernet 1000BASE-T	
Power supply	Single-phase: AC 200V ~ 240V (±10%), 50/60 Hz (±1Hz), 29A or less	
Power consumption	6960VA or less	
Safety standard	VCCI class A / FCC class A / UL60950-1ETL / CE Marking (EMC, Low voltage, Machinery) CB test / RoHS/ REACH / Energy Star / RCM	
Dimensions (W x D x H)	Main unit : 5,620 x 1,800 x 1,820mm Ink supply unit : 950 x 510 x 730mm	
Weight	Main unit : 1,500kg Ink supply unit : 30kg	

Supplies

Item	Product No.	Note
Sublimation Dye Ink Sb310	Blue	SB310-BLT-BB
	Magenta	SB310-MT-BB
	Yellow	SB310-YT-BB
	Black	SB310-KT-BB
Flushing Liquid 03	FL003-Z-BB	2 litre bottle
Flushing Liquid 03 maintenance kit	ML003-Z-K1	200ml bottle / Dropper (x 2)

Options

Item	Product No.	Note
Mimaki Target Colour Emulator	SCE-001	Colour emulation software and colorimeter
TxLink3 Standard	STX-0008	High-end software model
TxLink3 Professional	STX-0009	High-end software model with colour separation processing capability



Super-wide sublimation transfer inkjet printer...

• Some of the samples in this folder are artificial renderings • Specifications, design and dimensions stated in this folder may be subject to change without notice (for technical improvements, etc.)
• The corporate and merchandise names written on this folder are the trademark of the respective corporations • Inkjet printers print using extreme fine dots, so colours may vary after replacement of the printing heads, also note that if using multiple printer units, colours could vary slightly from one unit to other unit due to slight individual differences • Composer's errors reserved

Mimaki

www.mimakieurope.com info@mimakieurope.com @MimakiEurope

Mimaki Europe B.V. Stammerdijk 7E, 1112 AA Diemen, The Netherlands Tel: +31 (0)20 4627640



Mimaki

The world imagines... Mimaki delivers



A high quality, super-wide sublimation transfer inkjet printer...

Mimaki's latest grand-format transfer paper printer delivers the ultimate in high productivity for the exhibition, retail and home furnishing markets with its combination of speed and high quality output. The machine's industrial build quality and innovative technical features ensure new levels of performance and reliability.

ENGINEERING EXCELLENCE AND CREATIVE INNOVATION

Founded in Japan in 1975, Mimaki Engineering has steadily grown by reputation and influence into a global company with large operational bases in Asia and the Pacific, United States and Europe.

Renowned for award-winning performance, peerless build quality and innovative technology, Mimaki has established itself as a leading manufacturer of wide-format inkjet printers and cutting machines for the sign and graphics, textile and apparel and industrial markets. In addition, Mimaki also provides a comprehensive range of supporting products; hardware, software and associated consumable items, such as inks and cutting blades.

From outdoor signage and billboards to interior decoration and furnishing, from packaging and labels to promotional gifts and apparel, Mimaki is committed to developing technology that sets new industry standards, producing machines and products that turn the imagination of our customers into breath-taking reality.

... Mimaki delivers

TS500P-3200 delivers ...

- Maximum print speed of 180m²/h (360 x 360dpi, 2 pass, Bi)
- New 12 x printhead configuration in 3-row staggered array
- New Sb310 high performance, low-cost sublimation transfer ink
- External Bulk Ink System for long-run continuous printing with 3 litre containers
- Mimaki Advanced Pass System (MAPS)
- Nozzle Check Unit (NCU) ensures reliable continuous print operation
- Cockling reduction transfer mechanism for higher quality print

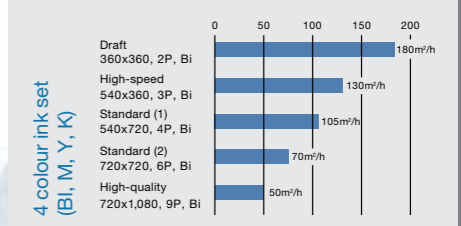
- NEW Sb310 DYE SUBLIMATION INK
- 3,290mm MAX PRINT WIDTH
- 180m²/h MAX. SPEED
- 1,080 DPI MAX RESOLUTION
- 4 COLOUR INK SETS
- UNATTENDED CONTINUOUS OPERATION
- POWERFUL SOFTWARE OPTIONS
- AUTO MEDIA FEEDER (AMF)

TS500P-3200



Maximum print speed of 180m²/h for high productivity

The TS500P-3200 optimizes the printing speed and quality to produce the desired print results. For this purpose, it provides a wide range of printing modes, from the draft printing mode (which operates at the maximum speed of 180m²/h) to high-quality printing mode.

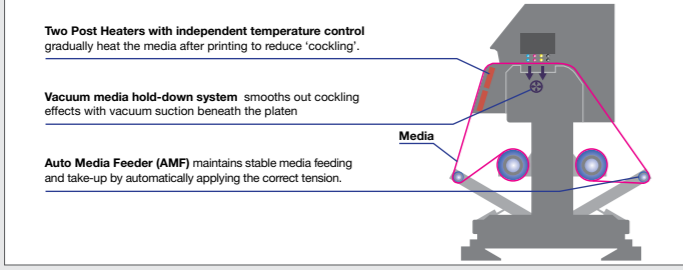


Create ... Home furnishing and upholstery fabrics including Bedding and Curtains, Soft signage, Textile retail PoS, Light boxes, Exhibition and Portable display Graphics, Wall art, and much more...

KEY TECHNICAL FEATURES ...

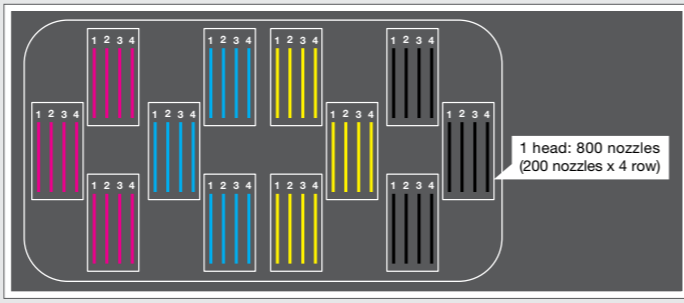
'Cockling' Reduction features

TS500P-3200 incorporates innovative features to reduce the effects of 'cockling' (the wrinkling of the media surface due to high levels of ink absorption, particularly when using low-cost or thin transfer papers).



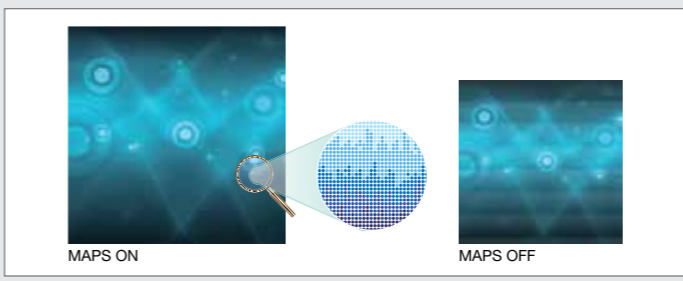
12 x Printhead configuration in staggered array

- 12 print heads
- For each colour, 3 print heads are staggered in-line



Mimaki Advanced Pass System (MAPS)

To prevent banding, swath boundaries are overprinted and boundaries prone to banding are printed with fewer ink droplets.



Continuous Uninterrupted Printing Features

Nozzle Recovery Function

In the event of a nozzle malfunction not being repairable by the use of the maintenance function, printing can continue by the use of another nozzle, without any loss of productivity or a reduction in image quality.

